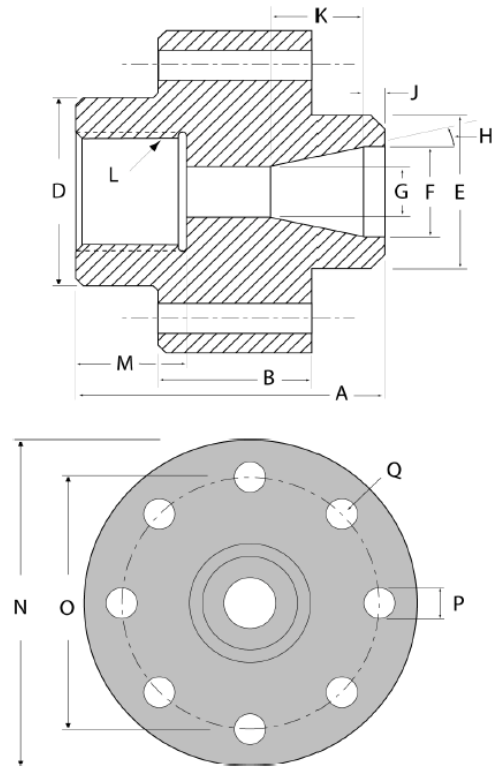


COLLECTING INFORMATION – END CAP

CUSTOMER	
REFERENT	
BRAND MACHINE	
TYPE	
YEAR	
TONNAGE	
INJECTION UNIT	
CODE REPLACEMENT	



Total length – A		Length of the big Ø external – B	
Length of the small Ø external – C		Ø External (front) – D	
Ø External (behind) – E		Opening rear – F	
Ø boring material passage – G		Cone angle (conicity) – H	
Deep – J		Cone deep – K	
Thread type– L		Thread deep – M	
Ø External – N		Center distance of the mounting holes – O	
Ø fixing holes – P		Quantity mounting holes – Q	
PROBLEMS			
OTHER NOTES			